

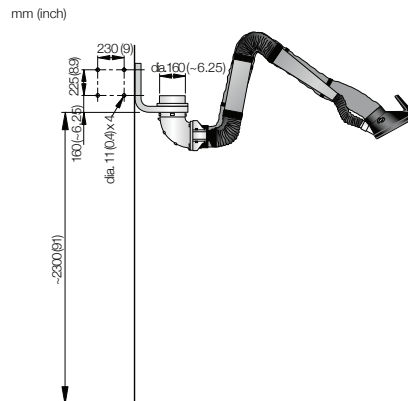
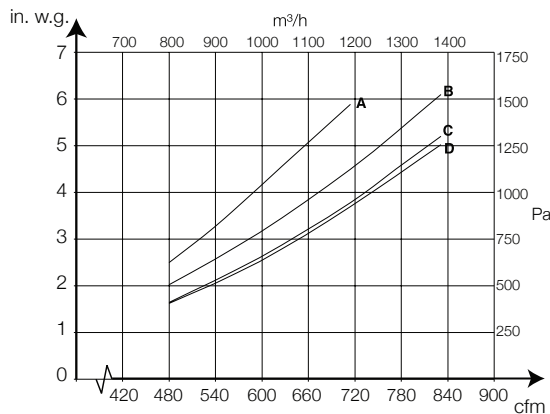
Origo™ Vac Arm MD

The Origo™ Vac Arm MD is an extraction arm for medium to heavy duty applications. The arm has a Ø160 mm (6¼ inch) hose, which together with the external arm system provides a high airflow and a low pressure drop. Perfectly balanced and simple to position.

- Robust swivel – allows 360° rotation
- Encapsulated support mechanism protects the arm against dust and dirt
- With a damper in the hood – saves energy when not in operation
- The hose is easy to remove for cleaning
- The hood can be tilted in all directions



Pressure drop



A: 5 m (16 1/2 ft.), B: 4 m (14 ft.), C: 3 m (10 ft.), D: 2 m (7 ft.)

Description	Reach, m (ft.)	Airflow, m³/h (cfm)	Connection Ø, mm (in.)	Max. fume temperature, °C (°F)	Noise level at hood, dB(A)	Weight, kg (lb.)	Part no.
Origo™ Vac Arm MD 3m (10 ft.)	3 (10)	900-1300 (500-800)	160 (6 1/4)	70 (160)	63	20 (44)	0700 003 028
Origo™ Vac Arm MD 4m (14 ft.)	4 (14)	900-1300 (500-800)	160 (6 1/4)	70 (160)	63	27 (60)	0700 003 029