

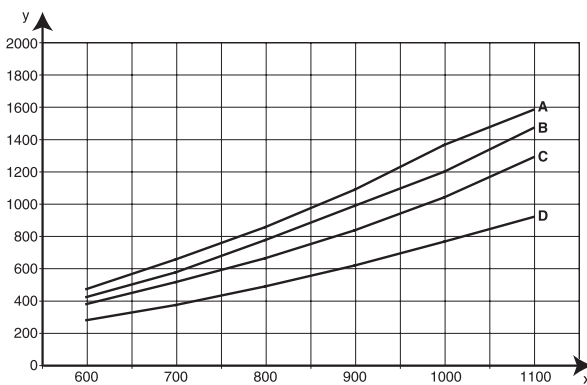
Origo™ Vac Arm

It is specially designed for working environments with fumes, vapours or non explosive dust. Typical workplaces are the metal fabrication industry or other types of industries where extraction is needed. The applications can be welding, grinding, or other industrial processes where an easily positioned arm is required. The product is equipped with a damper in the hood as standard.

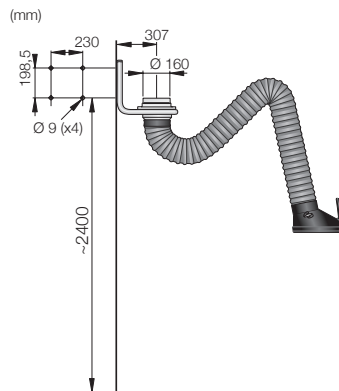
- Swivel allows the product to rotate 360 degrees
- The arm is flexible in all directions and simple to position
- The product is equipped with a damper in the hood as standard
- The hood on all models can be tilted in all directions



Pressure drop



X: airflow m³/h
 Y: static pressure Pa
 A= 4 m (14 ft.) horizontal, B= 4 m (14 ft.) vertical, C= 3 m (10 ft.), D= 2 m (7 ft.)



Description	Reach, m	Airflow, m ³ /h	Connection Ø, mm	Max. fume temperature, °C	Noise level at hood, dB(A)	Weight, kg	Part no.
Origo™ Vac Arm 2m	2	700-1000	150/160	70	63-75	11	0700 003 032
Origo™ Vac Arm 3m	3	700-1000	150/160	70	63-75	13	0700 003 033