



Origo™ Vac Wall Mounted Filter

Efficient, versatile and easy to install

The Modular Filter System simply solves the need of cleaning the air from particles, smoke and dust. The modular construction means that the system is suitable for both small workspaces and larger manufacturing works. By supplementing with ESAB fans and extraction arms, you can build up a solution for every workplace.

- Simple and quick installation – few parts
- Easy to expand
- Can be supplemented with fan and extraction arm

Particle Filter

The particle filter for welding smoke and fine particles. The filtration efficiency is up to 99%.



Origo™ Vac Wall Mounted Filter

Installation examples

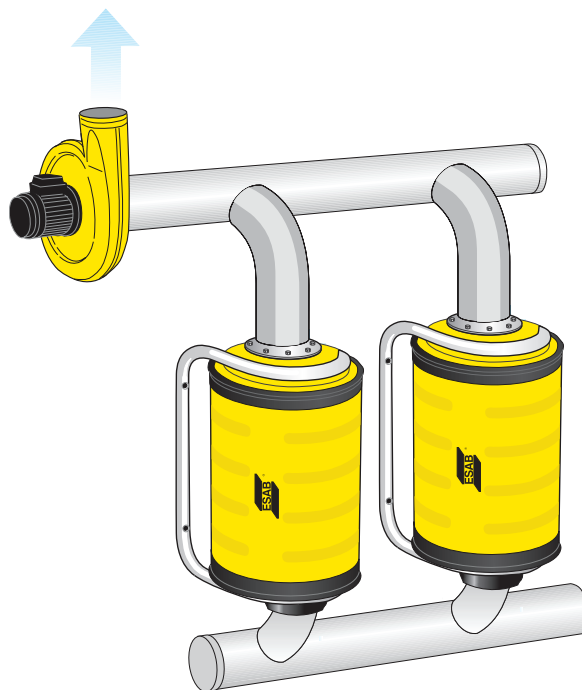
Single filter unit

The filter is easily mounted on the wall. The filter can be equipped with a fan (or connected to a ventilation duct) and a Nederman extraction arm.



Parallel filter combination

Two filters in parallel lower the pressure drop and increase the air volume.



Technical information

Particle Filter

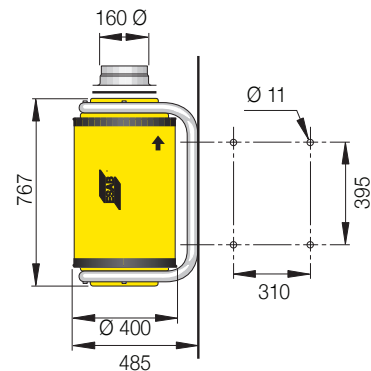
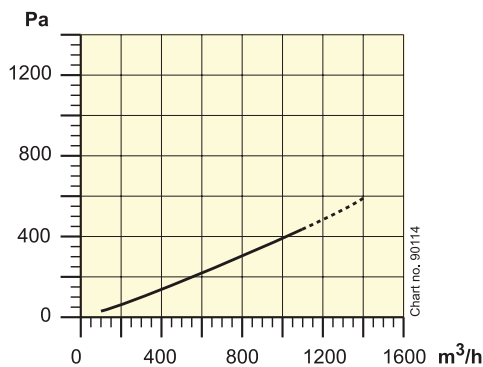
For welding smoke, dust and large particles.

Part No	0700 003 040
Filter surface	18m ²
Filtration degree	99%*
Weight	8.8 kg

Material

Cylinder	Cellulose paper
Filter media	Cellulose paper
	BIA Category M

*) acc. to EN 1822, H 13



Replacement Filter

Particle filter: 0700 003 226

Complementary equipment

Extraction arms: see separate brochure

Fans: see separate brochure



ESAB AB
 Box 8004, SE-402 77 Gothenburg, Sweden
 Phone +46 31 50 9000
 E-mail: info@esab.se
 Website: www.esab.com

