

LLR-3000P and LLR-3000I

Roller beds for small workpieces

ESAB LLR 3000 roller beds are the ideal handling equipment especially for lightweight workpieces.

- Speed is stepless adjustable.
- These lightweight roller beds are built to meet international EN safety requirements.
- These roller beds come with a low-voltage foot pedal with Start/Stop function.
- Mechanically and electrically the roller beds have been designed for easier maintenance and a small number of spare parts as well.



Application

- Pipe shops

Technical data

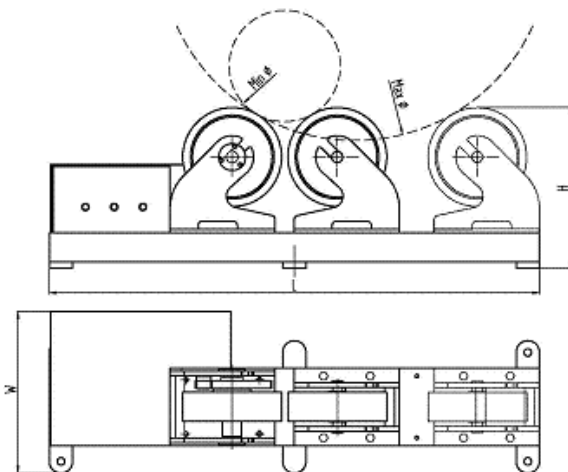
Model

LLR-3000

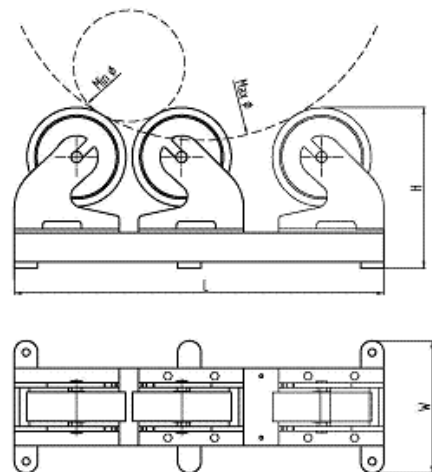
Loading capacity, drive unit, kg	1500
Loading capacity, idler unit, kg	1500
Turning capacity, drive unit, kg	4500
Turning speed, mm/min	0 – 4000
Workpiece diameter, mm	
min (60°), max (60°)	286 - 1006
Power supply (50Hz/1-phase), V	220
Control voltage, V AC	24
Motor, W	300
Weight, drive unit, kg	109
Weight, idler unit, kg	71
Dimensions LxHxW, drive unit, mm	1260x413x405
Dimensions LxHxW, idler unit, mm	950x413x340
Cable foot pedal, m	3

Ordering information

LLR-3000P, drive unit	0370 250 196
LLR-3000I, idler unit	0370 250 197



Drive unit



Idler unit

2011-03-18 / ESAB förbehåller sig rätten till ändringar



www.esab.com

