

# TAP 1T and TAP 3T

## Three-axis positioner for small objects

**ESAB Three Axis Positioners TAP are in fact the best answer to the problem of lifting, rotating and tilting demanding workpieces.**

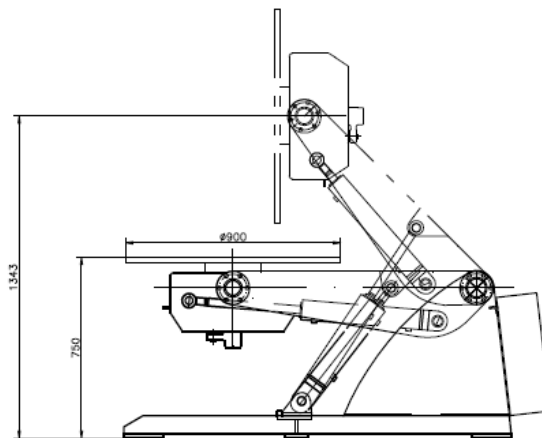
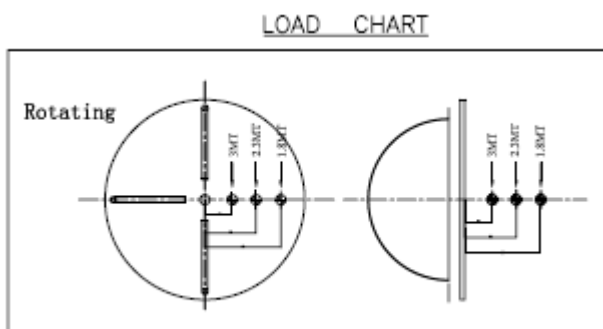
- Height, angle and speed are continuously adjustable .
- ESAB Positioners exceed the strictest international EN safety requirements.
- ESAB welding positioners are designed and built for tough engineering workshop conditions.
- All the positioners come with a low voltage (24V) remote control unit for all functions. For daily work, these new positioners offer perfect solutions with optimized motor and gear drive sizes.
- The positioners of TAP-series have 3-axis; height, tilting angle and rotation. Thus 3-axis operation guarantees the ideal ergonomic working position.
- The rotation speed is controlled by means of inverter. All drives are equipped with AC-motors which require less maintenance, no carbon-brush to change.
- The hydraulics for height and tilt adjustment are equipped with built-in safety valves preventing hose-failure.
- Mechanically and electrically the positioner has been designed more compact and with fewer components meaning not only easier maintenance but smaller number of spare parts as well.



### Applications

- **Pipe shops**
- **Vessels**
- **Cladding of dish ends**
- **Fuel tanks**

| Technical data            |         | TAP 1T       | TAP 3T       |
|---------------------------|---------|--------------|--------------|
| Maximum loading capacity  | kg      | 1000         | 3000         |
| Rotation torque           | Nm      | 3000         | 9000         |
| Tilting torque            | Nm      | 3000         | 9000         |
| Rotation speed            | rpm     | 0.1-1.2      | 0.1-0.9      |
| Tilting range table plate | degree  | 0-135        | 0-135        |
| Tilting range arm         | degree  | 0-45         | 0-45         |
| Power Supply              | 50/60Hz | 400V, 3ph    | 400V, 3ph    |
| Fuses                     | A       | 16           | 16           |
| Control Voltage           | V AC    | 24           | 24           |
| Table plate diameter      | mm      | 900          | 1000         |
| Welding current           | A       | 800          | 800          |
| Weight                    | kg      | -            | -            |
| Dimensions                | LxWxH   | 1788/870/750 | 2123/970/950 |
| Cable length control box  | m       | 6            | 6            |

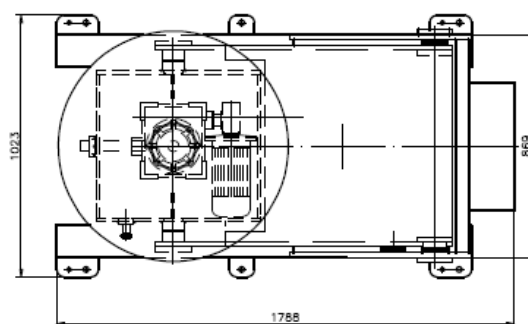


### Ordering Information

Positioner TAP 1T                      0370 250 750  
 Positioner TAP 3T                      0370 250 751

### Options

Foot switch                                0370 250 301



2009-09-01 / ESAB reserves the right to alter specifications without prior notice



[www.esab.com](http://www.esab.com)

